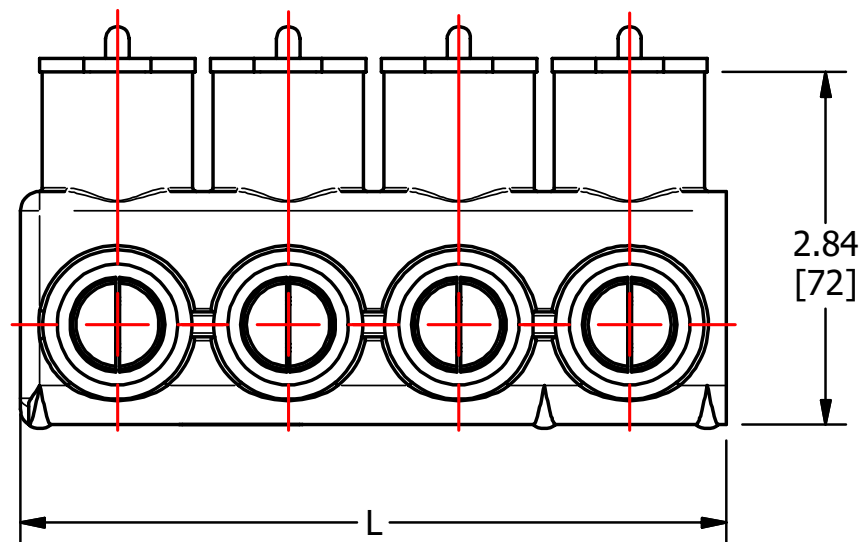
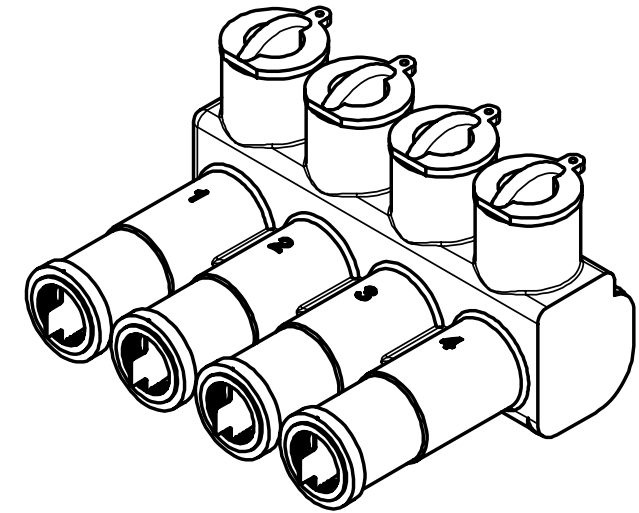
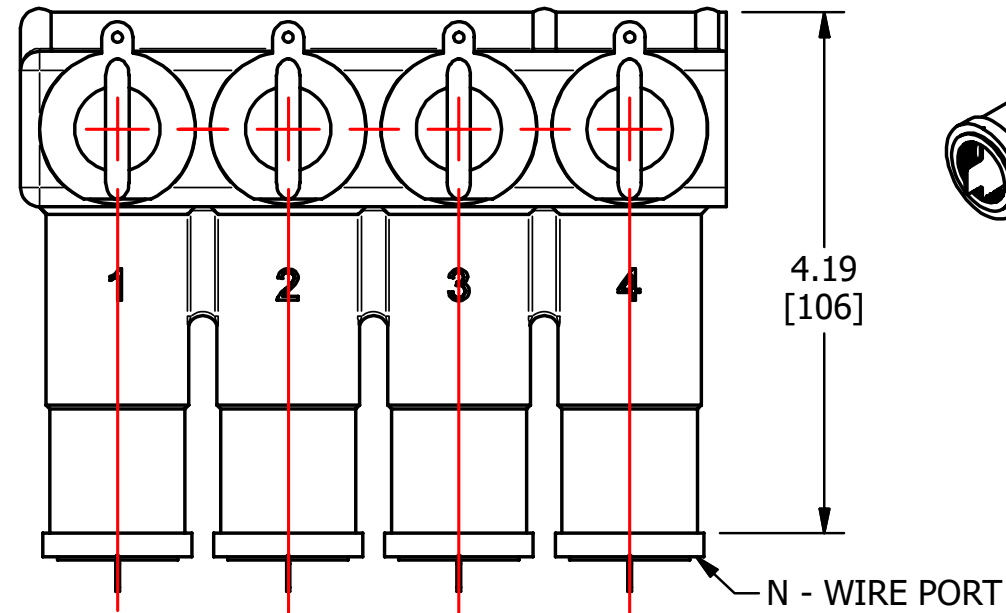


S.NO	CATALOG NUMBER	L	N
1	SSBC500-3S	4.31 [110]	3
2	SSBC500-3SI	4.31 [110]	3
3	SSBC500-4S	5.69 [144]	4
4	SSBC500-4SI	5.69 [144]	4
5	SSBC500-5S	7.06 [179]	5
6	SSBC500-5SI	7.06 [179]	5
7	SSBC500-6SI	8.44 [214]	6
8	SSBC500-7S	9.80 [257]	7
9	SSBC500-7SI	9.80 [257]	7
10	SSBC500-8S	11.19 [284]	8
11	SSBC500-8SI	11.19 [284]	8
12	SSBC500-9S	12.56 [319]	9
13	SSBC500-9SI	12.56 [319]	9



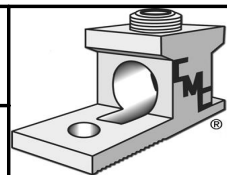
INSULATION MATERIAL: EPDM RUBBER  
CONNECTOR MATERIAL: ALUMINUM  
CONDUCTOR RANGE: 500 KCMIL-12

					TO ORDER CMC PRODUCTS UNITED STATES 1-513-860-4455 CANADA 1-800-361-6975 MEXICO 011-52-722-265-4400 FOR PRODUCT INFO www.cmcugs.com	DRAWN BY: TS 01-22-20 CHECKED BY:	NAME OF PART: SURE SEAL COVER ASSEMBLY DWG NO: U22700084-S (CHARTED)	CAT. NO.: SEE TABLE
A	NEW DRAWING CREATED		01-22-20	TS		DRAWING NOT TO SCALE		SHEET NO: 1 OF 1
REV.	DESCRIPTION	ECN	DATE	INIT.				

THIS INFORMATION IS PROPRIETARY TO CONNECTOR MFG. CO. AND IS NOT TO BE DISCLOSED OUTSIDE OF CONNECTOR MFG. CO. WITHOUT A CONFIDENTIALITY AGREEMENT



**CONNECTOR MANUFACTURING CO.**



HAMILTON, OHIO